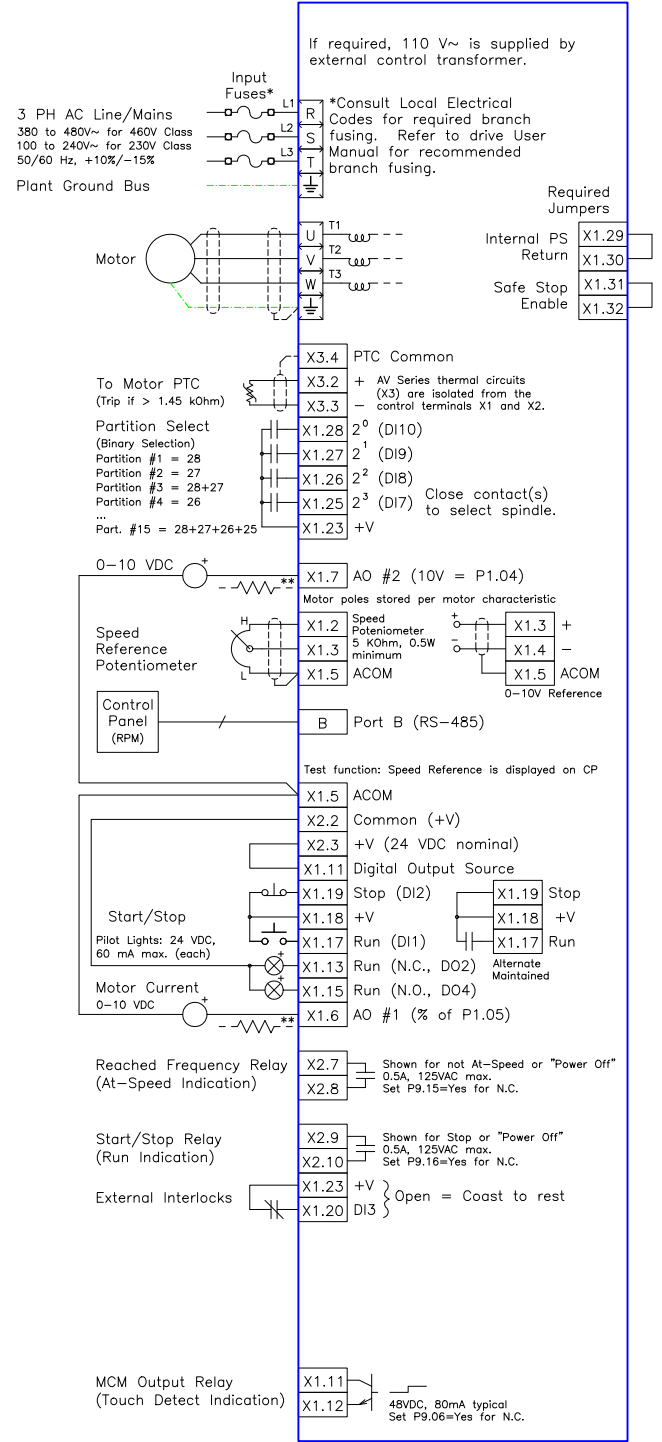
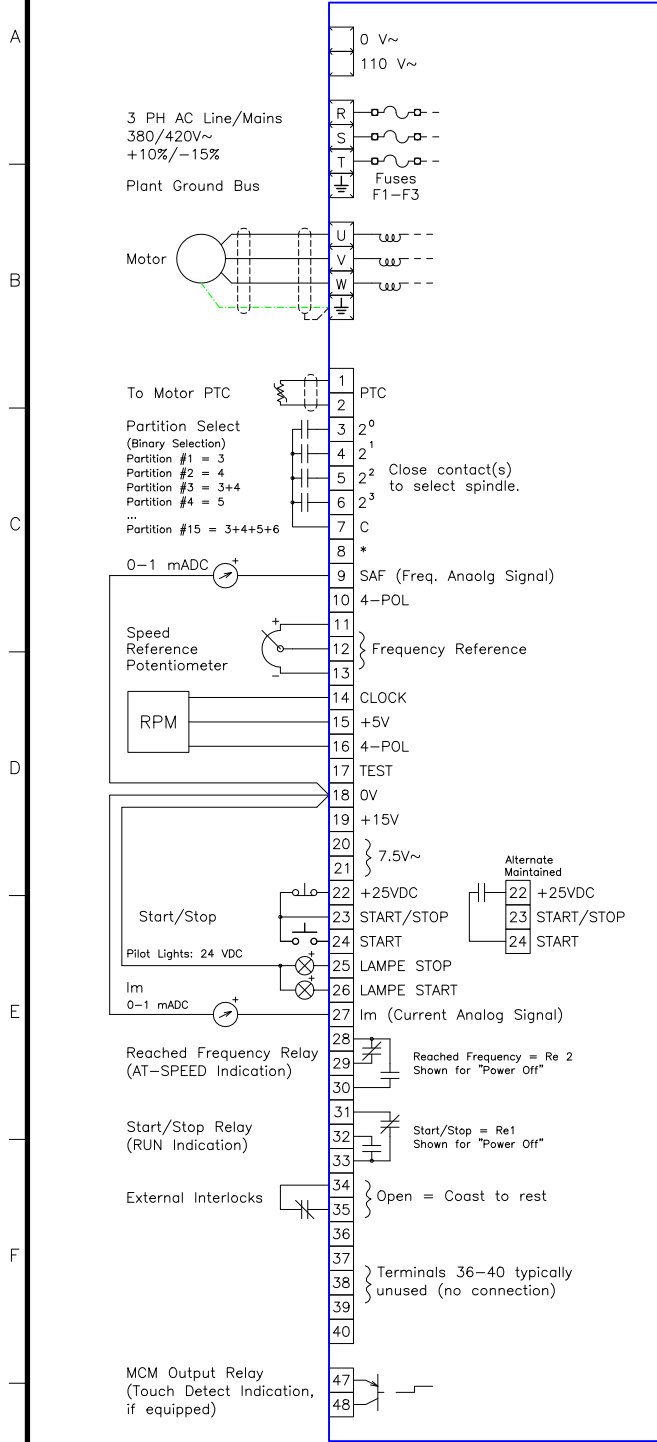


ST Series  
Typical Connection Diagram

SPINDEL AV Series Cross  
Reference Connection Diagram



\*\*Insert 10 KOhm, 1/4W externally for analog 0-1 mADC meters.

**Programming Note:** SPINDEL AV Series Drives are highly programmable. The terminal functions shown in this cross reference assume **all drive parameters have been set to their default value** (via the "Control Panel" Menu) and then the following parameters are programmed as indicated:

- P6.08:** External Stop 1 Type Select = Coast to Stop
- P7.02:** Motor Selection Source = X1 Motor Code
- P8.02:** Digital Input X1.19 (DI2) Select = Stop/Interlock
- P8.03:** Digital Input X1.20 (DI3) Select = External Stop 1
- P9.02:** Digital Output X1.13 (DO2) Select = Run (Drive On)
- P9.07:** Digital Output X1.13 (DO2) Invert = Yes
- P11.01:** Analog Output #1 Select = Motor Current
- P11.03:** Analog Output #1 100% Value = 10.00

In addition to the above, the motor parameters in Group 1 must also be programmed for each motor used.

		SPINDEL Electronics 4517 Broadmoor Avenue SE Grand Rapids, MI 49512 TEL +1 616 554 2200 FAX +1 616 554 2033	
Date:	2 Dec 13	Title:	ST Series to SPINDEL AV Series Connection Cross Reference
Drawn By:	KLK	Scale:	A* Scaled 1:1.575
Date:	14 Jan 14	Drawing No.:	81138-01
Checked By:	OMM	Sheet:	1 of 1